



KIT PART NUMBER 1475088  
KIT PART NUMBER 3152480  
KIT PART NUMBER 4255252  
KIT PART NUMBER 4305086

## INSTRUCTIONS FOR INSTALLING A CREDIT DISPLAY PCB REPLACEMENT ASSEMBLY

CHECK THE PARTS RECEIVED IN THE KIT WITH THE PARTS LIST IN THESE INSTRUCTIONS. IF ANY PARTS ARE MISSING, CONTACT THE NATIONAL VENDORS PARTS DEPARTMENT IMMEDIATELY.

Read these instructions carefully before installing the kit.  
Keep these instructions for part numbers and for future reference.

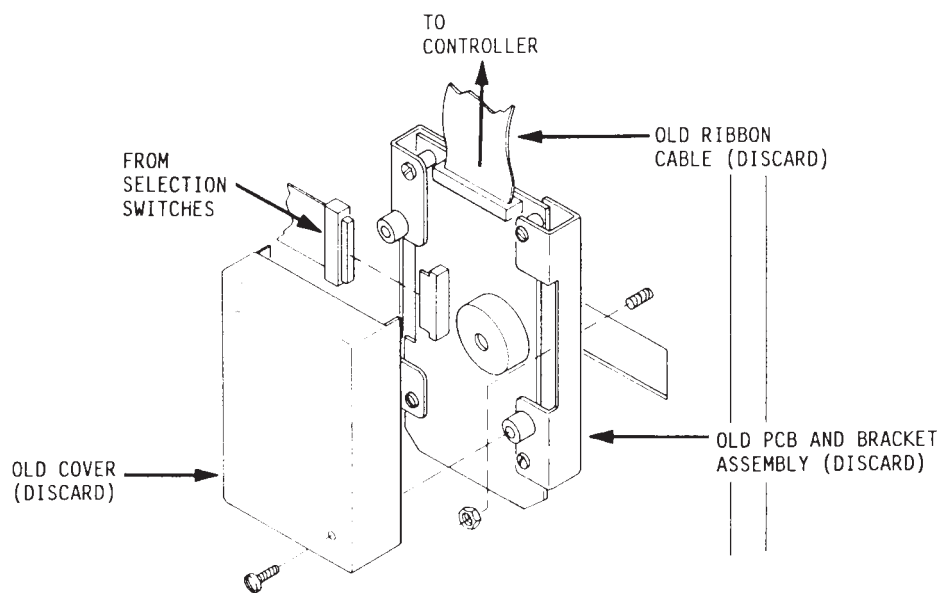
### These kits contains the following:

| PART NUMBER | DESCRIPTION               | QUANTITY REQUIRED PER KIT |         |         |         |
|-------------|---------------------------|---------------------------|---------|---------|---------|
|             |                           | 1475088                   | 3152480 | 4255252 | 4305086 |
| 1472261     | Ribbon Cable Assembly     | 1                         | -       | -       | -       |
| 1475085     | Cover, Display PCB        | 1                         | -       | -       | -       |
| 3128092     | Screw #7-19 x 3/8 Hex     | 1                         | -       | -       | 2       |
| 3152565     | Ribbon Cable Assembly     | -                         | 1       | -       | -       |
| 9900204     | Screw #8-32 x 5/8 S/T     | -                         | 2       | -       | -       |
| 4255269     | Ribbon Cable Assembly     | -                         | -       | 1       | -       |
| 4305080     | Ribbon Cable Assembly     | -                         | -       | -       | 1       |
| 4305081     | Cover, Display PCB        | -                         | -       | -       | 1       |
| 1475099     | Bracket, Display PCB      | 1                         | 1       | 1       | 1       |
| 9989628     | Display PCB Assembly      | 1                         | 1       | 1       | 1       |
| 2226380     | Screw #6-19 x .38,PHS,T/C | 1                         | 1       | 1       | 1       |
| 1475157     | Instructions              | 1                         | 1       | 1       | 1       |

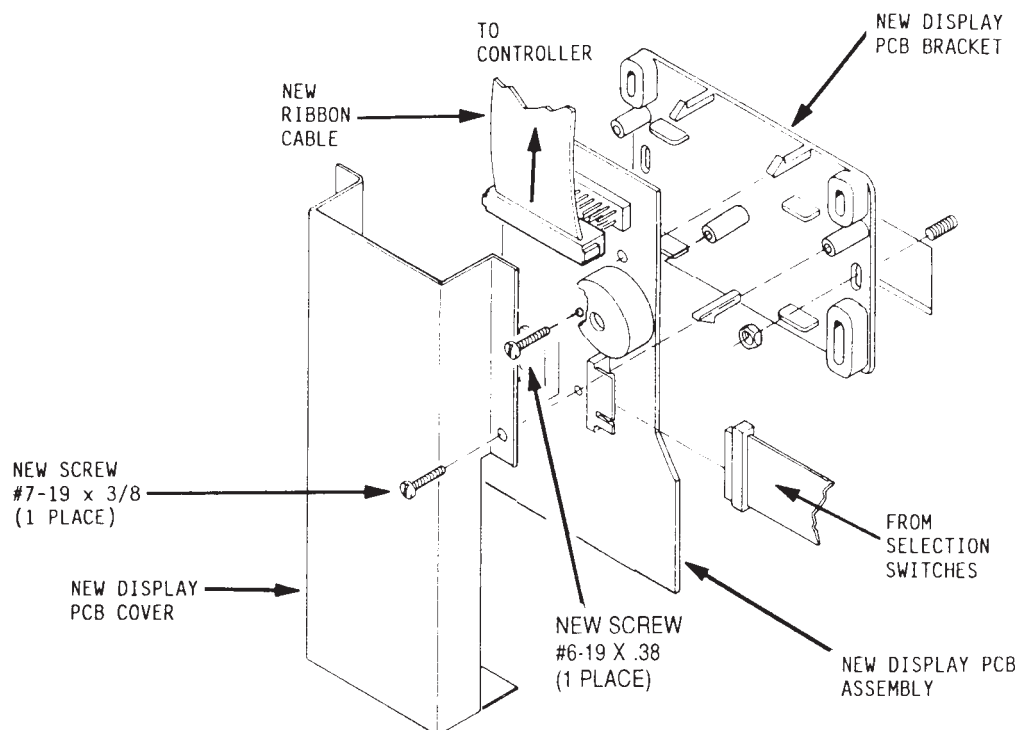


## FIELD REPLACEMENT OF DISPLAY PCB ASSEMBLY 1452073

### REMOVING OLD COMPONENTS



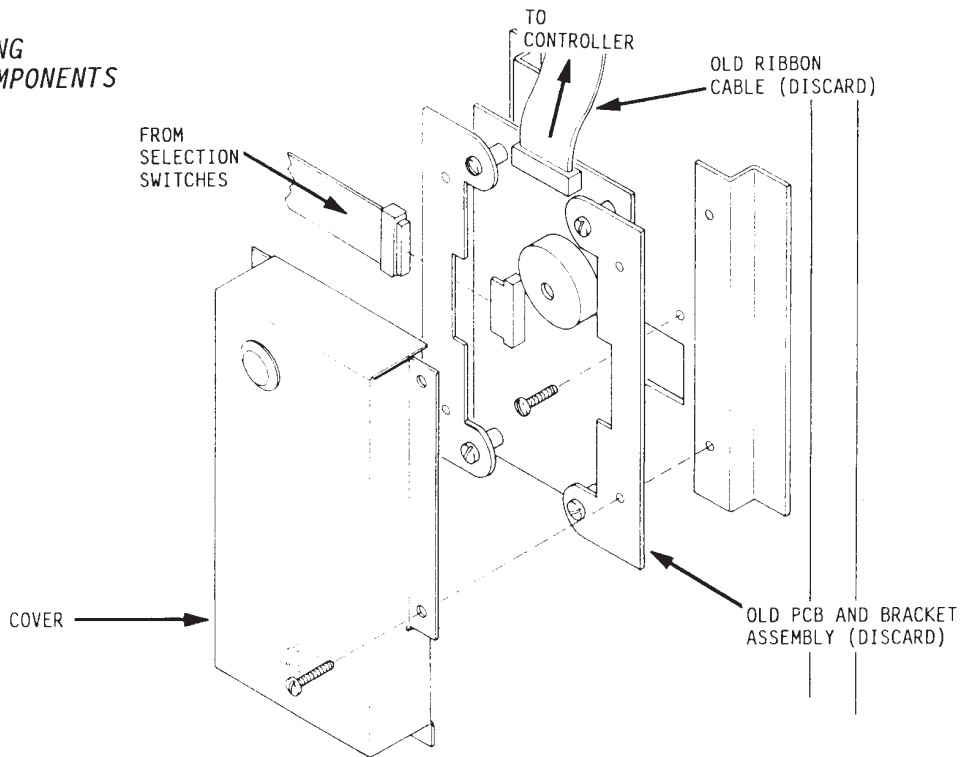
### INSTALLING NEW COMPONENTS



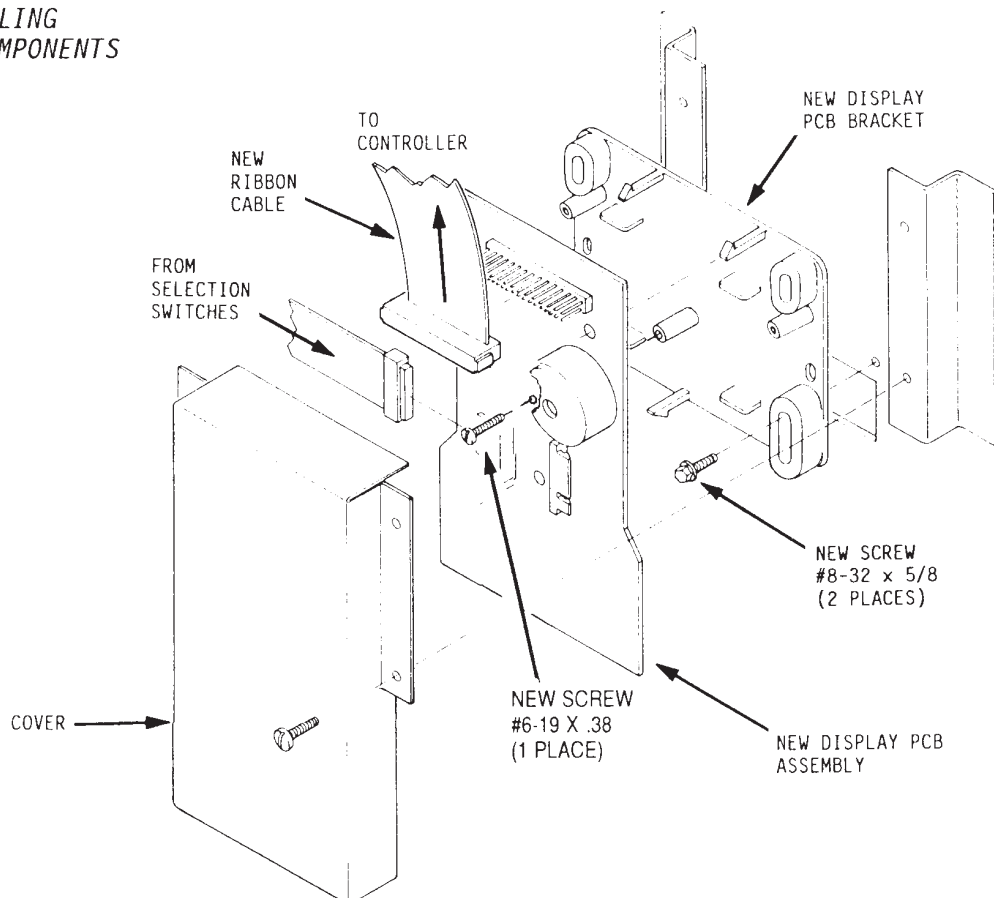


## FIELD REPLACEMENT OF DISPLAY PCB ASSEMBLY 3152058

### REMOVING OLD COMPONENTS



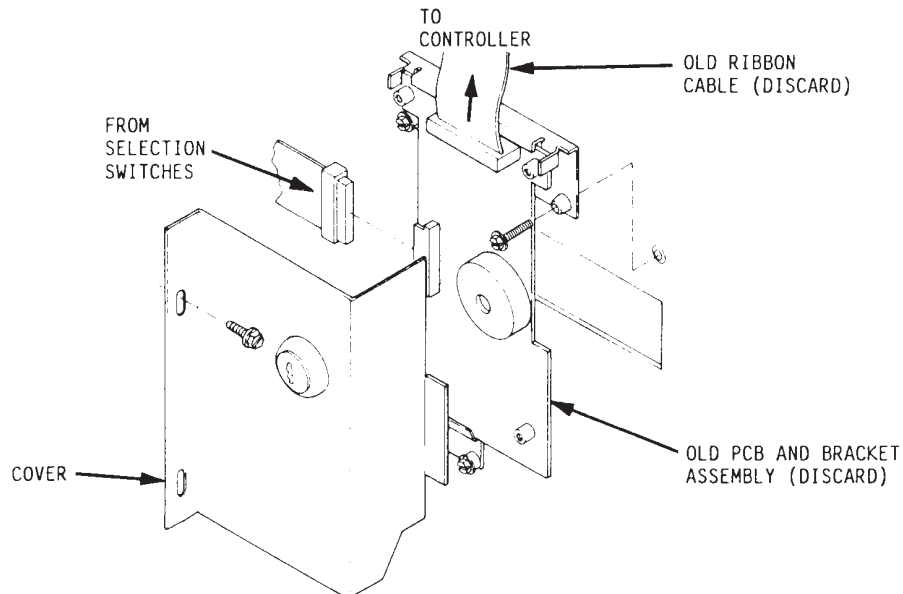
### INSTALLING NEW COMPONENTS



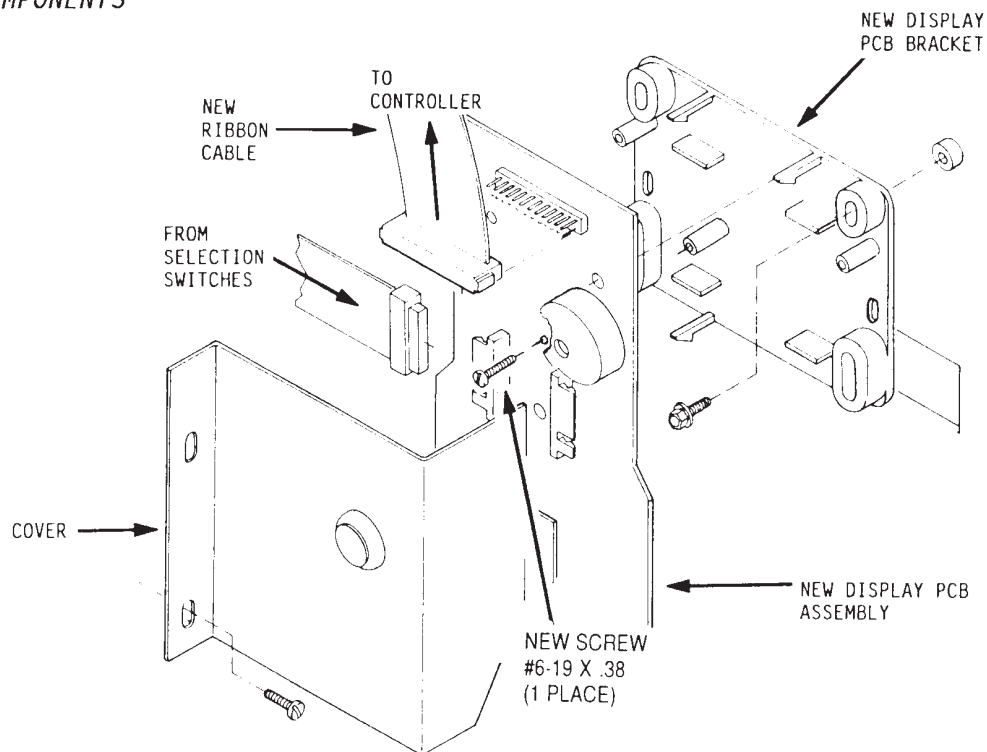


## FIELD REPLACEMENT OF DISPLAY PCB ASSEMBLY 4255037

### REMOVING OLD COMPONENTS



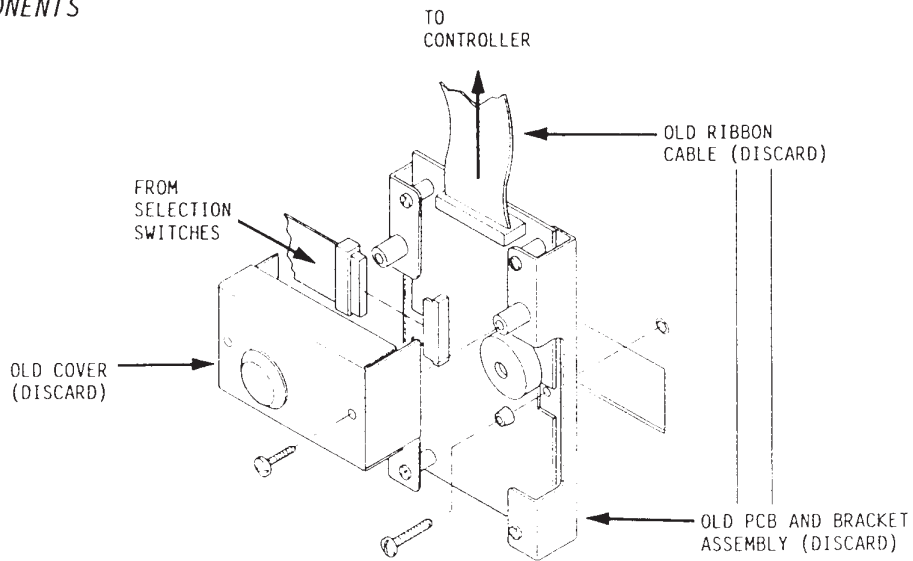
### INSTALLING NEW COMPONENTS





## FIELD REPLACEMENT OF DISPLAY PCB ASSEMBLY 4305039

### REMOVING OLD COMPONENTS



### INSTALLING NEW COMPONENTS

